

REVISONS		DATE	DWN	APVD
P	LTR	DESCRIPTION		
B5	REVISED PER ECO-11-005027		11MAR11	RK HMR

Specifications:

Materials:  
CASE: NYLON 66 UL94HB, 30% GF-BLACK  
ACTUATOR: PBT OR NYLON 66, UL94HB  
COVER: STEEL-TIN PLATE  
MOVING CONTACT: COPPER ALLOY-SILVER PLATE  
FIXED CONTACT/TERMINAL: COPPER ALLOY-SILVER OVER NICKEL PLATE

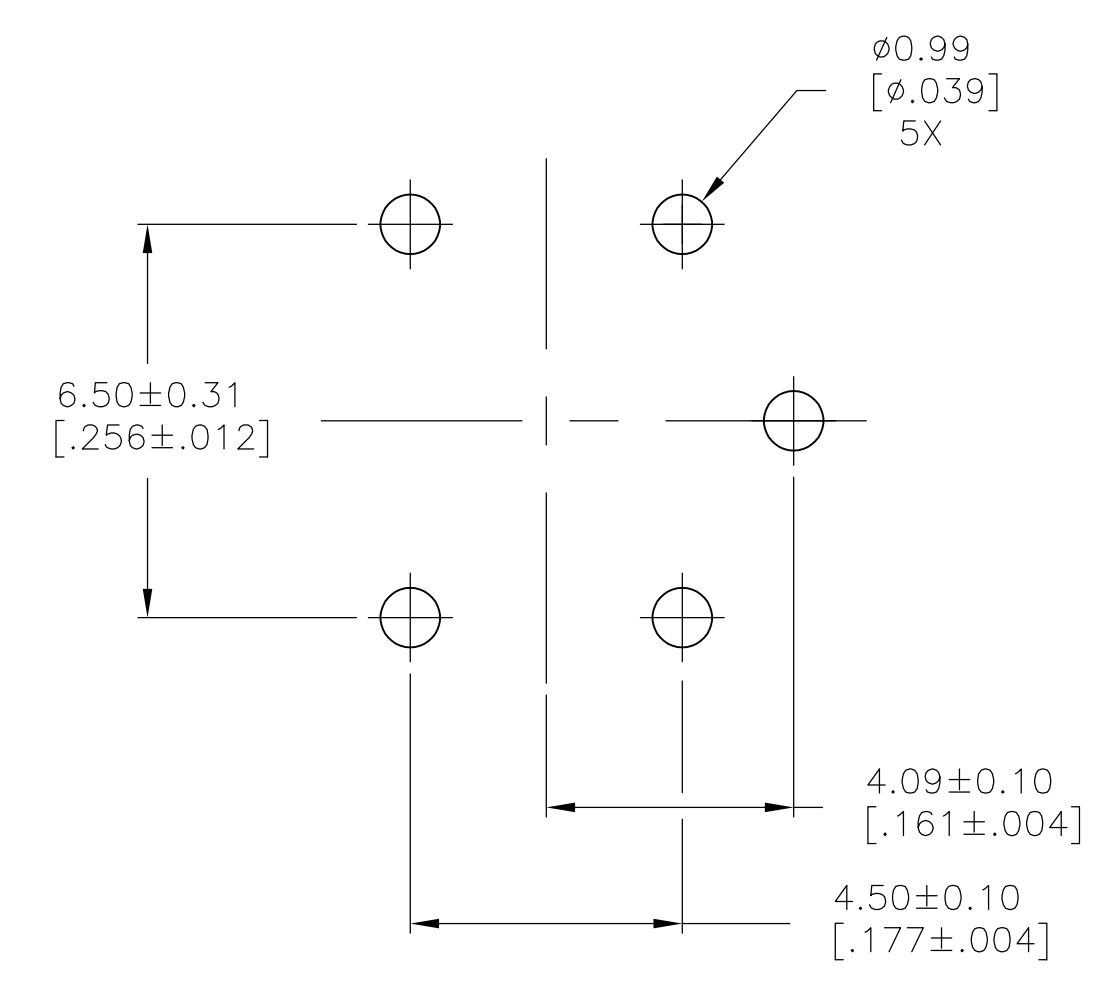
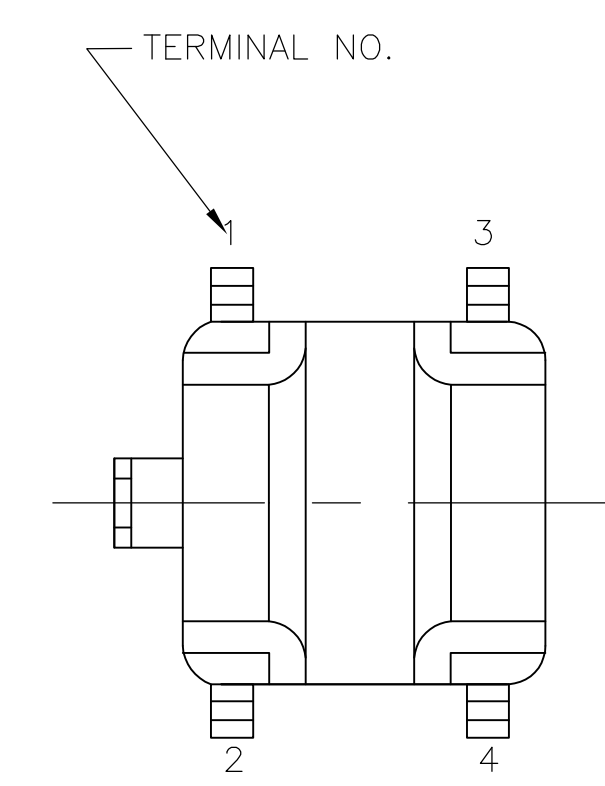
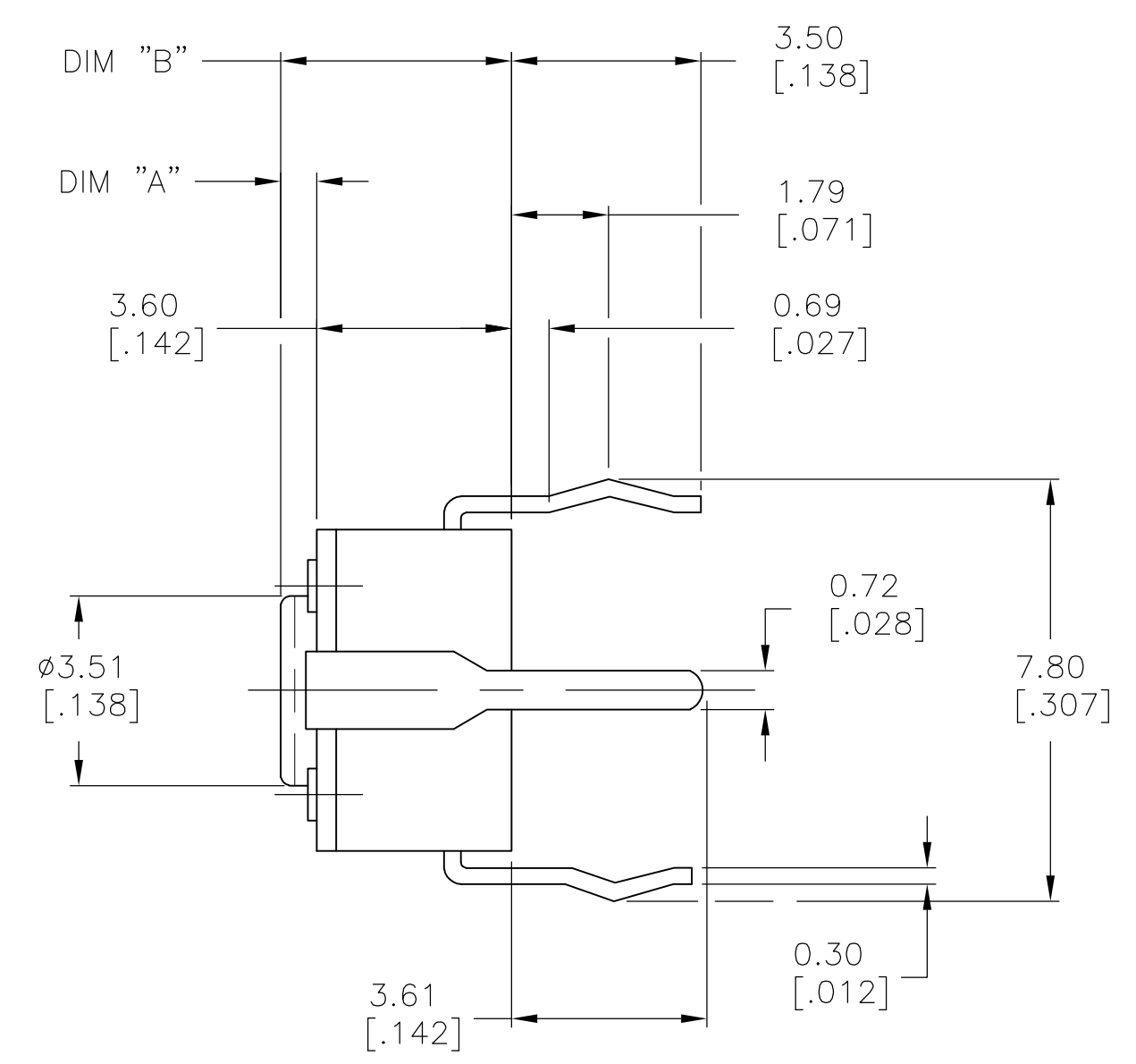
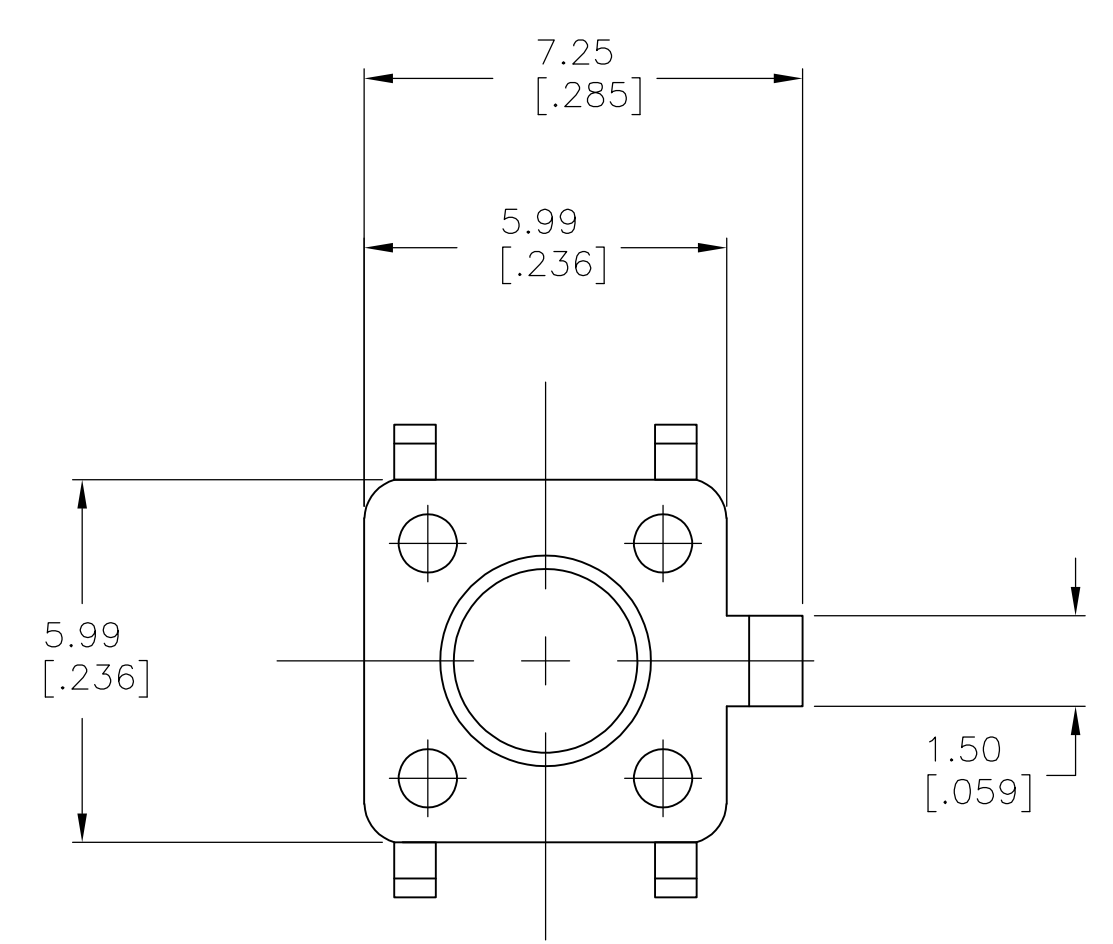
Electrical:  
Max Contact Rating: 50 milliamp@ 24V DC  
Min Contact Rating: 10 microamp@1V DC  
Initial Contact resistance, 100 milliohms max  
Insulation Resistance, 100 Megohm min. @ 100V DC  
Dielectric strength, 500 V AC for 1 minute  
Life Expectancy, 100,000 cycles min (2 cycles per second and 150% actuation force)

Mechanical:  
Actuation force, See Table  
Actuation Travel, .010 +.008/-.004  
Life Expectancy, 100,000 cycles min (2 cycles per second and 150% actuation force)

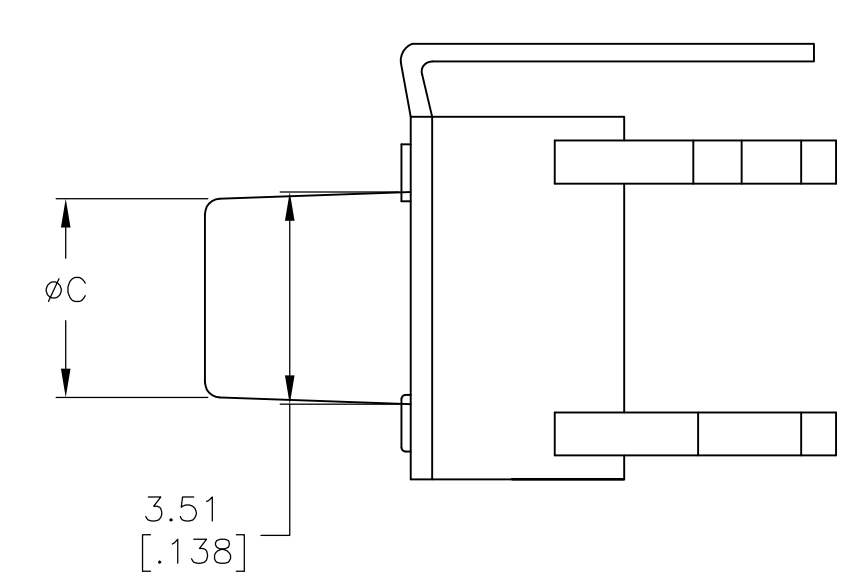
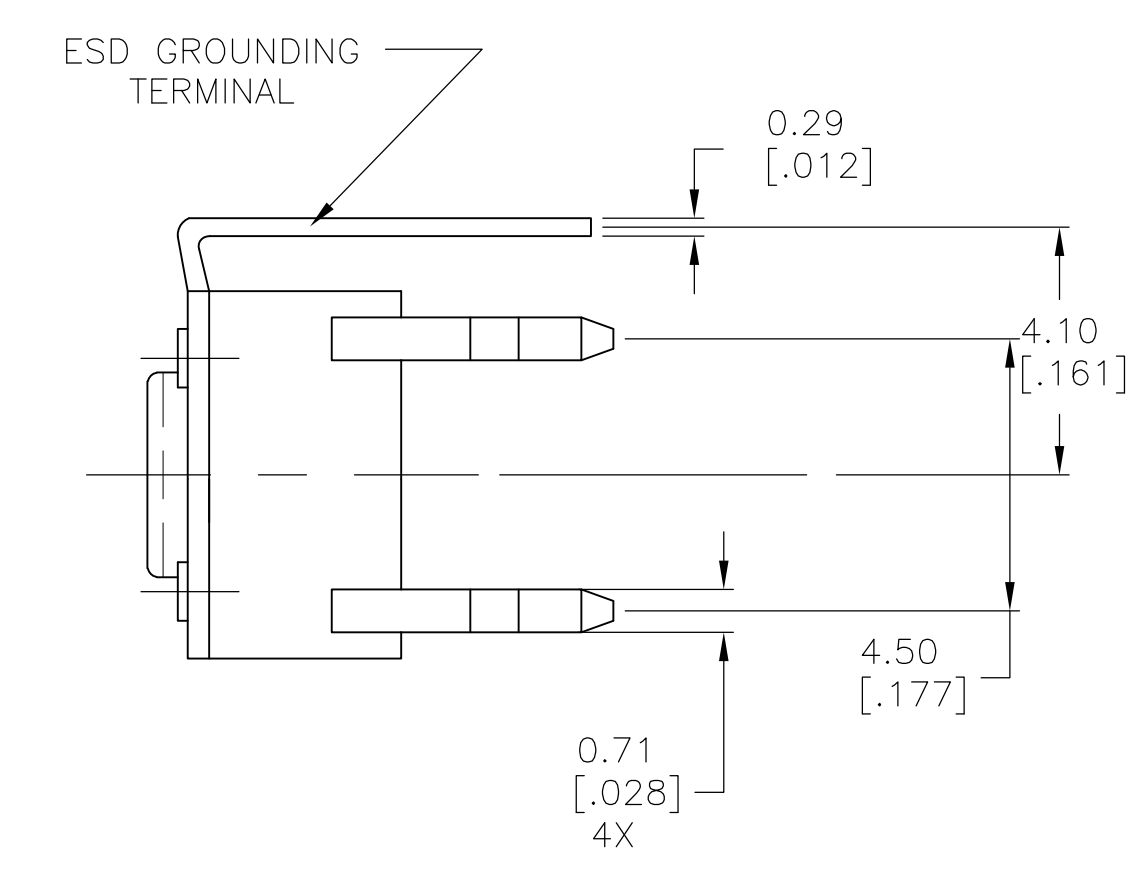
Environmental:  
Operating Temperature, -35 to +85 degrees C  
Storage Temperature, -35 to +85 degrees C  
Thermal Shock, Per EIA-364-32C, -35 to +85 degrees C  
Solderability, Per EIA-364-52, Class 2, Category 1, Category 2, 95% Minimum coverage  
Resistance to Solder Heat, Per 109-202, Condition B

Notes:  
1 ALL MATERIALS AND FINISHES SHALL COMPLY WITH EU DIRECTIVE 2002/95/EC OF 27JAN2003 (ROHS).

2 PACKAGED IN TRAY



RECOMMENDE HOLE LAYOUT  
TOLERANCE ±.002  
UNLESS OTHERWISE NOTED



FSM5J THRU FSM17J

2	PBT	BLACK	160 +/-50 GF	N/A	5.00 (.196)	1.40 (.055)	FSM3JHTR	3-1825955-7
	NYLON 6/6	YELLOW	520 +/-100 GF	3.09 (.122)	8.50 (.335)	4.90 (.193)	FSM17JAAH	3-1825955-6
	NYLON 6/6	WHITE	260 +/-50 GF	3.09 (.122)	8.50 (.335)	4.90 (.193)	FSM17JAH	3-1825955-5
	NYLON 6/6	BLACK	160 +/-50 GF	3.09 (.122)	8.50 (.335)	4.90 (.193)	FSM17JH	3-1825955-4
	NYLON 6/6	BROWN	100 +/-50 GF	3.09 (.122)	8.50 (.335)	4.90 (.193)	FSM17JLH	3-1825955-3
	NYLON 6/6	YELLOW	520 +/-100 GF	2.80 (.110)	17.00 (.669)	13.40 (.527)	FSM15JAAH	3-1825955-2
	NYLON 6/6	WHITE	260 +/-50 GF	2.80 (.110)	17.00 (.669)	13.40 (.527)	FSM15JAH	3-1825955-1
OBSOLETE	NYLON 6/6	BLACK	160 +/-50 GF	2.80 (.110)	17.00 (.669)	13.40 (.527)	FSM15JH	3-1825955-0
	NYLON 6/6	BROWN	100 +/-50 GF	2.80 (.110)	17.00 (.669)	13.40 (.527)	FSM15JLH	2-1825955-9
	NYLON 6/6	YELLOW	520 +/-100 GF	2.87 (.118)	13.00 (.512)	9.40 (.370)	FSM13JAAH	2-1825955-8
	NYLON 6/6	WHITE	260 +/-50 GF	2.87 (.118)	13.00 (.512)	9.40 (.370)	FSM13JAH	2-1825955-7
	NYLON 6/6	BLACK	160 +/-50 GF	2.87 (.118)	13.00 (.512)	9.40 (.370)	FSM13JH	2-1825955-6
	NYLON 6/6	BROWN	100 +/-50 GF	2.87 (.118)	13.00 (.512)	9.40 (.370)	FSM13JLH	2-1825955-5
	NYLON 6/6	YELLOW	520 +/-100 GF	3.20 (.126)	8.00 (.315)	4.40 (.173)	FSM11JAAH	2-1825955-4
OBSOLETE	NYLON 6/6	WHITE	260 +/-50 GF	3.20 (.126)	8.00 (.315)	4.40 (.173)	FSM11JAH	2-1825955-3
	NYLON 6/6	WHITE	160 +/-50 GF	3.20 (.126)	8.00 (.315)	4.40 (.173)	FSM11JH	2-1825955-2
	NYLON 6/6	BROWN	100 +/-50 GF	3.20 (.126)	8.00 (.315)	4.40 (.173)	FSM11JLH	2-1825955-1
	NYLON 6/6	YELLOW	520 +/-100 GF	3.25 (.128)	7.30 (.287)	3.70 (.146)	FSM9JAAH	2-1825955-0
	NYLON 6/6	WHITE	260 +/-50 GF	3.25 (.128)	7.30 (.287)	3.70 (.146)	FSM9JAH	1-1825955-9
OBSOLETE	NYLON 6/6	BLACK	160 +/-50 GF	3.25 (.128)	7.30 (.287)	3.70 (.146)	FSM9JH	1-1825955-8
	NYLON 6/6	BROWN	100 +/-50 GF	3.25 (.128)	7.30 (.287)	3.70 (.146)	FSM9JLH	1-1825955-7
	PBT	YELLOW	520 +/-100 GF	3.10 (.122)	9.50 (.374)	5.90(.232)	FSM7JAAH	1-1825955-6
	PBT	WHITE	260 +/-50 GF	3.10 (.122)	9.50 (.374)	5.90(.232)	FSM7JAH	1-1825955-5
	PBT	BLACK	160 +/-50 GF	3.10 (.122)	9.50 (.374)	5.90(.232)	FSM7JH	1-1825955-4
	PBT	BROWN	100 +/-50 GF	3.10 (.122)	9.50 (.374)	5.90(.232)	FSM7JLH	1-1825955-3
	NYLON 6/6	YELLOW	520 +/-100 GF	3.30(.130)	7.00 (.276)	3.40 (.134)	FSM5JAAH	1-1825955-2
	NYLON 6/6	WHITE	260 +/-50 GF	3.30(.130)	7.00 (.276)	3.40 (.134)	FSM5JAH	1-1825955-1
	NYLON 6/6	BLUE	160 +/-50 GF	3.30(.130)	7.00 (.276)	3.40 (.134)	FSM5JH	1-1825955-0
	NYLON 6/6	BROWN	100 +/-50 GF	3.30(.130)	7.00 (.276)	3.40 (.134)	FSM5JLH	1825955-9
	PBT	YELLOW	520 +/-100 GF	N/A	5.00 (.196)	1.40 (.055)	FSM3JAAH	1825955-8
OBSOLETE	PBT	WHITE	260 +/-50 GF	N/A	5.00 (.196)	1.40 (.055)	FSM3JAH	1825955-7
	PBT	BLACK	160 +/-50 GF	N/A	5.00 (.196)	1.40 (.055)	FSM3JH	1825955-6
	PBT	BROWN	100 +/-50 GF	N/A	5.00 (.196)	1.40 (.055)	FSM3JLH	1825955-5
	PBT	YELLOW	520 +/-100 GF	N/A	4.30 (.169)	0.70 (.028)	FSM1JAAH	1825955-4
OBSOLETE	PBT	WHITE	260 +/-50 GF	N/A	4.30 (.169)	0.70 (.028)	FSM1JAH	1825955-3
	PBT	BLACK	160 +/-50 GF	N/A	4.30 (.169)	0.70 (.028)	FSM1JH	1825955-2
	PBT	BROWN	100 +/-50 GF	N/A	4.30 (.169)	0.70 (.028)	FSM1JLH	1825955-1

( ) - INDICATES MOMENTARY POSITION

CIRCUIT CHARACTERISTICS	
CONTACT POSITION	CIRCUIT DIAGRAM
 OFF	 (ON) 1-3 2-4

THIS DRAWING IS A CONTROLLED DOCUMENT. DWN C. MORAN 29DEC93

TE Connectivity

6MM TACT SWITCH THRU-HOLE W/ESD

00779 1825955

CUSTOMER DRAWING SCALE 8:1 SHEET 1 OF 1 REV B5